

HELIOSHADE®

FABRIC CASSETTE AWNING



HELIOSHADE
COLOUR DESIGN

*over 120 standard
frame colours*



 BEAUFORT WIND SCALE

Rated up to Category 6

 5 YEAR WARRANTY

 **helioscreen**
Intelligent Sun Control Solutions®

HELIOSHADE®

FABRIC-CASSETTE

THE CUSTOM MADE INTELLIGENT SUN CONTROL SOLUTION

An elegant and compact fabric-cassette awning, the HELIOSHADE® FABRIC-CASSETTE offers the fabric and motor full protection from the elements with its unique adjustable angle cassette. The fabric-cassette is mounted via an integrated torque bar with numerous mounting options making the HELIOSHADE® FABRIC-CASSETTE a universal awning suitable for a large range of applications. With the Vario valance the HELIOSHADE® FABRIC-CASSETTE is optimally adaptable to any position of the sun. Thanks to the chromatising of all aluminium parts as well as screws and nuts made of marine grade stainless steel, the HELIOSHADE® FABRIC-CASSETTE awning is extremely resistant to corrosion. Extension of the awning is by means of a SOMFY motor which is backed by a 5 year warranty and also offers the option of automated sun, wind or rain sensors.



Tested and proven to well over 70,000 full cycles, the multiflex 4 cable system is the strongest of its kind on the market. With daily use this is more than a 200-year life span. Ideally suited to our harsh Australian conditions the arm system is optimised for long lasting tautness of the fabric under extended heavy use.



THE ARTICULATED ARMS OF THE HELIOSHADE® - THE HEART OF THE AWNING

The articulated arms of the HELIOSHADE® FABRIC-CASSETTE are characterised by their elegant, eye-catching design and convincing performance. All components have been developed to ensure smooth function and high durability and have proved themselves in very demanding load tests. The use of high-quality extruded sections in combination with joint parts of high-strength die casting and drop-forged arm sections (with a maximum projection of 4500mm) stand for optimal safety even under extreme loads. The specially developed 'multiflex' power band, which is made up of four tear-resistant steel cables sheathed in a highly flexible plastic material, is protected against corrosion and damage. It applies the force of up to three spring movements in the upper arm section and ensures proper tensioning of the fabric.





A small number of system parts and simple assembly are further criteria for the success of this awning. Optimal protection of the awning fabric and a compact appearance when retracted are guaranteed for the 5°- 45° inclination of the awning thanks to the aluminium cassette's special adjustable design. Stylishly formed side parts make the HELIOSHADE® FABRIC-CASSETTE appear elegant and will compliment any home or external facade.

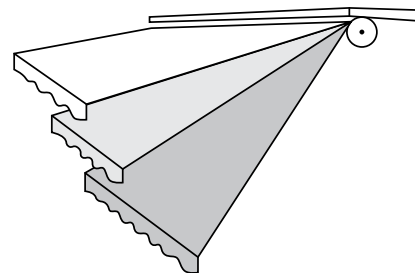


VARIOVALANCE

The HELIOSHADE® FABRIC-CASSETTE variovalance is a vertically adjustable valance which harmonises perfectly with the overall appearance of the awning. The Variovalance can be extended to 1,600mm offering additional privacy and protection from the setting/rising sun's glare and when not in use the fabric is hidden within the awning front rail out of sight.

FLEXIBLE TILT CONTROL

Optional F.T.C. (Flexible Tilt Control) function enables the user to have adjustable pitch control over the angle of the awning on systems up to a size of 6.5 x 3m (6.5x2.5m with WW). Operated by a manual gear and hand crank the angle can be adjusted from 0-80 degrees and thanks to a tension sensing motor the awning will automatically stop at the required closed position regardless of the angle.



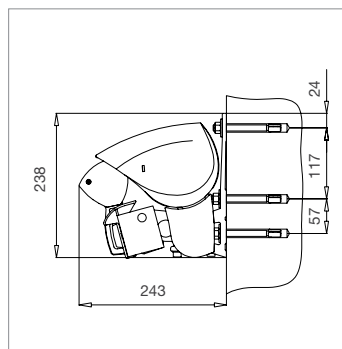
SYSTEM DETAILS

CASSETTE AWNINGS

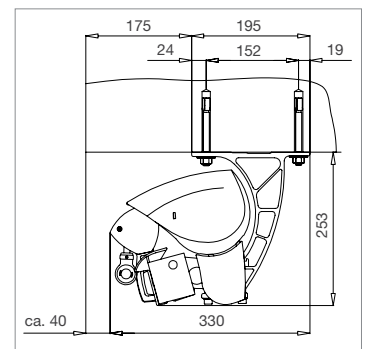
Max width	8,000mm
Coupling system	up to 12,000mm
Max projection	4,500mm*
Installation angle	5-45°
Standard operation	motor (gear unit & hand crank possible)
Fabric colours	Over 100 fabric colours
Frame colours	Over 120 Dulux & custom powdercoat colours

(*Only possible from 5 - 6.5m wide)

Face fix (dimensions in mm)



Top fix (dimensions in mm)





HELIOSHADE® AWNINGS

UNMATCHED PERFORMANCE FOR COMMERCIAL APPLICATIONS

The Helioscreen team have a proven reputation for outstanding performance when it comes to commercial awning projects. Offering an extensive range of products with local support and next generation solutions for over a quarter of a century is why Helioscreen as a company is synonymous with quality and high-caliber service across Australia and New Zealand.

Using only the finest materials available from around the world each component is selected to exceed expectations. When coupled with precision engineering, innovation and the latest in advanced technology, Helioscreen awning systems have clearly proven to withstand the test of time.

Local assembly ensures precision results are made to order, and offers efficient turnaround times for production and after-market service. Production of our custom made textiles is done in-house with the latest innovative technology and we offer a choice of over 120 Dulux powdercoat colours at no extra charge. This guarantees the best aesthetic results for each system. Furthermore, commercial grade powdercoating is also available for prestigious projects.

Used nationwide in landmark hospitality venues including bars, restaurants, hotels, clubs and renowned commercial buildings,

the Helioscreen range has been the selection of choice for many of Australia's leading architects, designers and builders over the past 25 years. Other commercial applications can be found at shopping centres, airports, apartment complexes, resorts, marinas, libraries, museums and universities.

Working to set new standards across our industry in functionality, performance and design, provides us with the opportunity to incorporate our intelligent sun control solutions towards long term sustainability by reducing energy consumption and contributing to an environmentally greener future.

Helioshade external projects include:

Westfield Shopping Centre's, Coke-a-Cola Sydney, Melbourne Blood Bank, Cockel Bay Wharf, Jaguar Motors, Bupa Health, Toowoomba Shopping Centre, Barossa Valley Vineyards, Sydney University, Jones Bay Wharf, Audi Sydney, Virgin Lounge, Newcastle Hospital, Hastings St Noosa, St Josephs College Brisbane, Austereo Melbourne, Salthouse Cairns, Toyota Adelaide, Perth Library, Woolloomooloo Finger Wharf, Top Ryde Shopping Centre, Melbourne Rowing Club, Adelaide Oval, Northgate Hobart, VW, Darling Island Apartments, Stocklands and Harley Davidson.



HELIOSCREEN'S INDOOR AND OUTDOOR RANGE

- 90% Reduced Heat Radiation
- Windsensor Retractor
- 5 Year Warranty
- Powered by Somfy 5-year motor warranty

Includes: Roller Blinds, Roman Blinds, Panel Glides, Blackouts, External Screens, Awnings, External Venetians, and Retractable Roof Systems.



Scan QR code for more info

Helioscreen Australia Pty Ltd – Dealers Australia Wide

www.helioscreen.com.au | enquiries@helioscreen.com.au | Phone 1300 766 319

